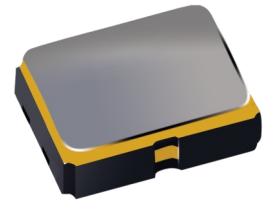


MINIATURE LOW COST SMD-VCTCXO

SERIES "VCTXO"

FEATURES

- + High reliability for low cost
- + Cheapest available SMD-VCTCXO
- + Available in 1.8, 2.6, 2.8, 3.0 and 3.3 VDC (1.7-3.5 VDC)
- + New standard for low cost SMD-VCTCXOs
- + Qualified for automotive applications
- + Extended temperature range to -40/+85°C available

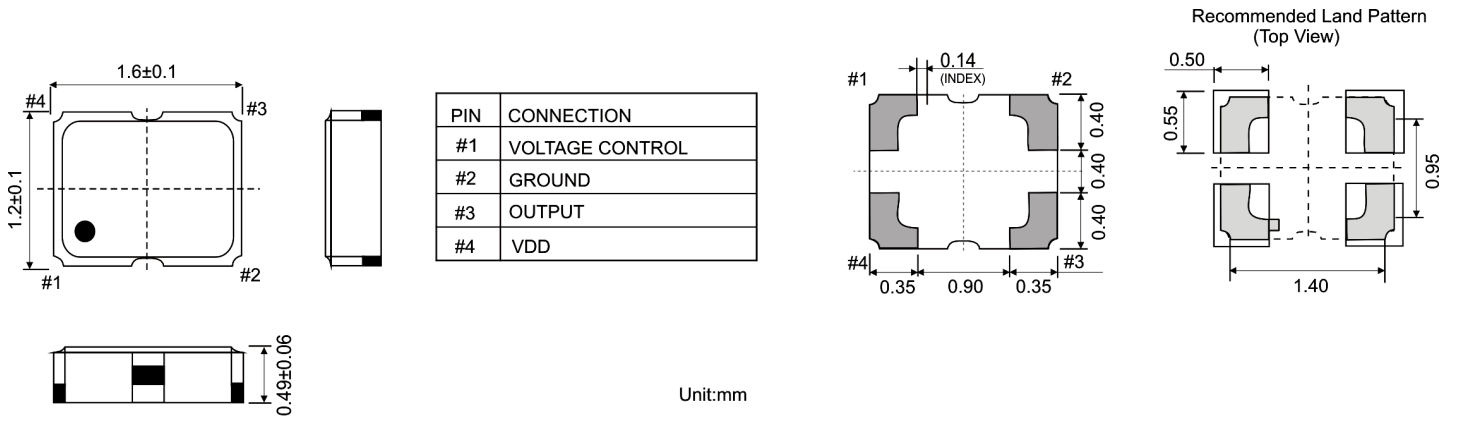


PB FREE / ROHS-2 2011/65/EU COMPLIANT

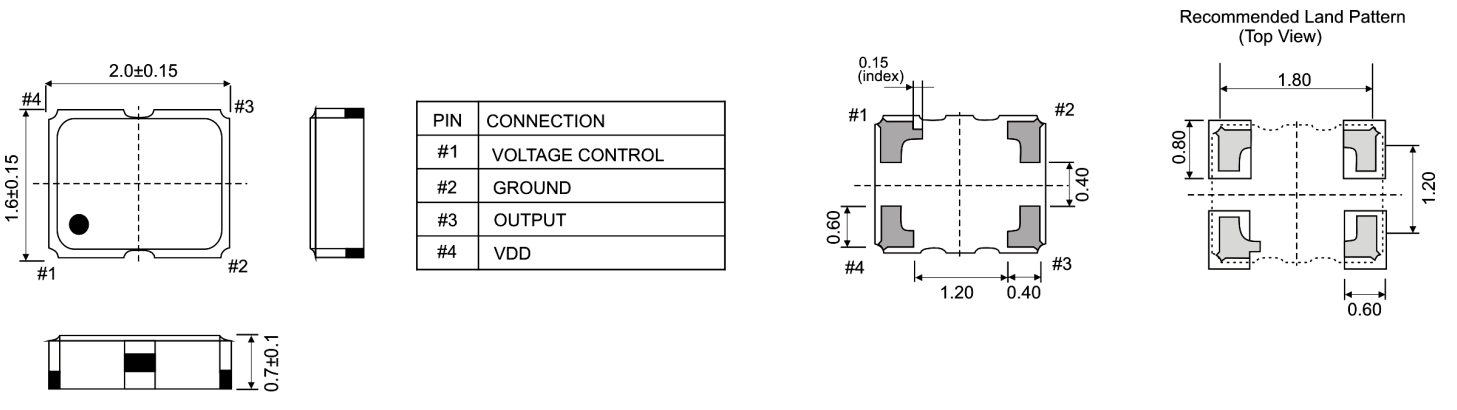
GENERAL DATA

PARAMETERS		PRODUCT FEATURES AND CONDITIONS
SMD-OSCILLATOR SERIES		VCTXO
PACKAGE	VTX01612	1.6 x 1.2 x 0.5 mm ³
	VTX02016	2.0 x 1.6 x 0.7 mm ³
	VTX02520	2.5 x 2.0 x 0.8 mm ³
	VTX03225	3.2 x 2.5 x 0.9 mm ³
FREQUENCY RANGE	VTX01612	16.0 ~ 60.0 MHz
	VTX02016	12.288 ~ 52.0 MHz
	VTX02520	9.6 ~ 52.0 MHz
	VTX03225	9.6 ~ 52.0 MHz
OPERATING TEMPERATURE RANGE		0/+70°C ~ -40/+85°C
STORAGE TEMPERATURE RANGE		-55/+125°C
STANDARD FREQUENCY		19.2 / 20 / 25 / 26 / 30 / 32 / 38.4 / 40 / 52 MHz
SUPPLY VOLTAGE (VDD)		+1.8V / +2.6V / +2.8V / +3.0V / +3.3V
CURRENT CONSUMPTION		+1.5mA max.(f≤26 MHz)/+2.0mA max.(26<f≤52 MHz)/+2.5mA max.(f≤60 MHz)
OUTPUT LEVEL		0.8 Vp-p min. (f≤52 MHz) [Clipped Sinewave / DC-coupled]
OUTPUT LOAD		10kΩ // 10pF
FREQUENCY STABILITY	INITIAL TOLERANCE	± 1.5 ppm max. (after 2 reflows)
	VS. TEMPERATURE	±1.0ppm, ± 2.5ppm max. /-30~+85°C ±1.0ppm, ± 2.5 ppm max. / -40~+85°C Other parameters are available on request
	VS. SUPPLY VOLTAGE	± 0.2 ppm max. (VDD±5%)
	VS. LOAD VARIATION	± 0.2 ppm max. (10kΩ // 10pF±10%)
	VS. AGING	±1.0 ppm max. / year (ref. +25°C)
Start-up Time		2.0 ms max.
Phase Noise		[f ≤ 26MHz] [26<f≤40MHz] [40MHz<f≤52MHz]
Offset 100Hz		-115dBc/Hz 110dBc/Hz 105dBc/Hz
Offset 1kHz		-135dBc/Hz 135dBc/Hz 130dBc/Hz
Offset 10kHz		-150dBc/Hz 150dBc/Hz 145dBc/Hz
Offset 100kHz		-155dBc/Hz 155dBc/Hz 150dBc/Hz
DELIVERY FORM		Tape and Reel / 2.000 pcs. per reel, other quantities are available on request
OTHER PARAMETERS ARE AVAILABLE ON REQUEST / CREATE HERE YOUR SPECIFICATION		

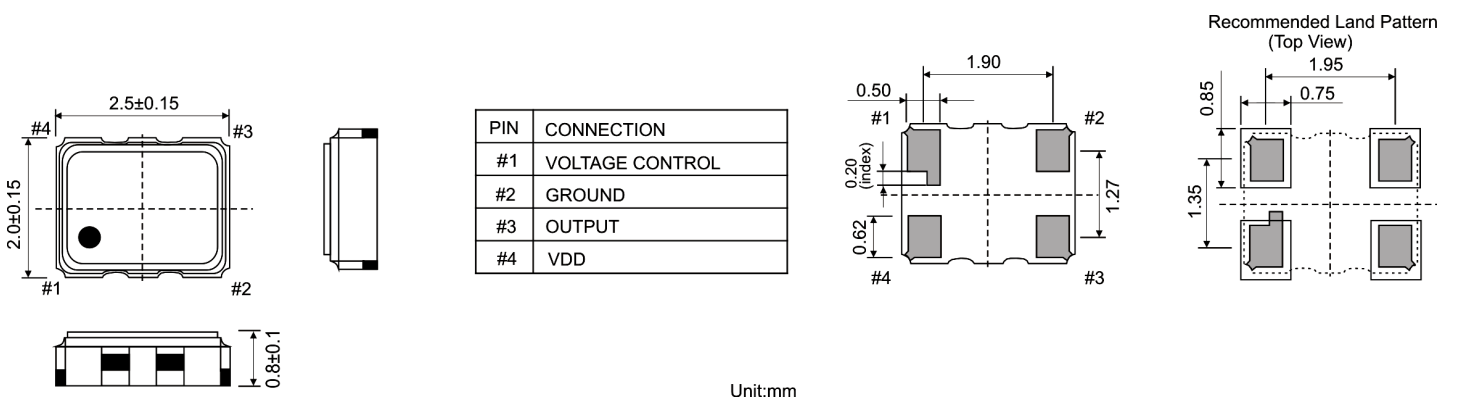
OUTLINE DRAWING OF VTX01612



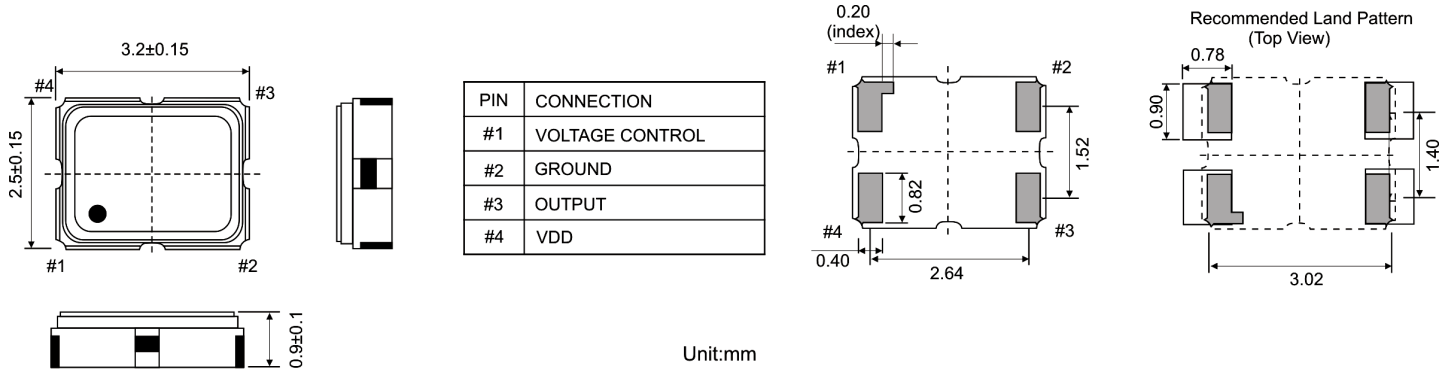
OUTLINE DRAWING OF VTX02016



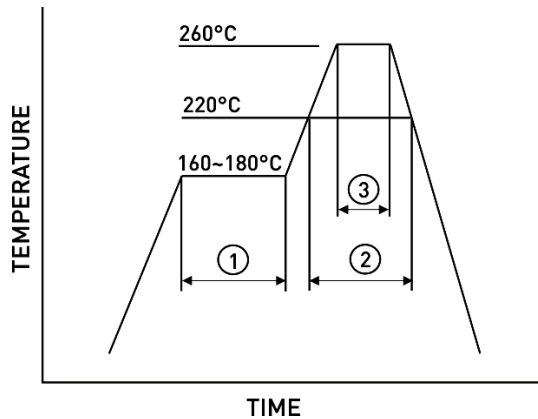
OUTLINE DRAWING OF VTX02520



OUTLINE DRAWING OF VTX03225

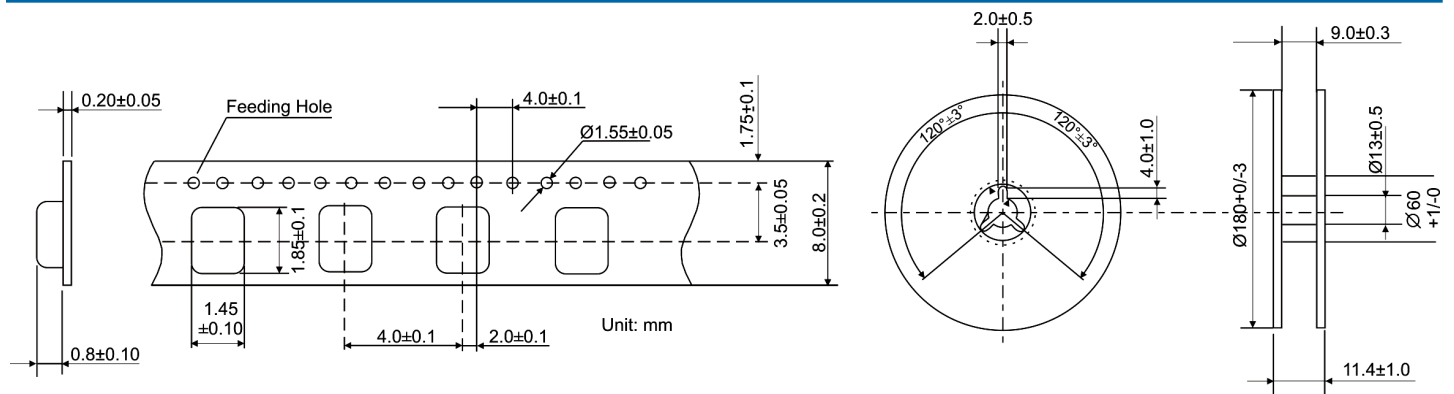


REFLOW SOLDER PROFILE

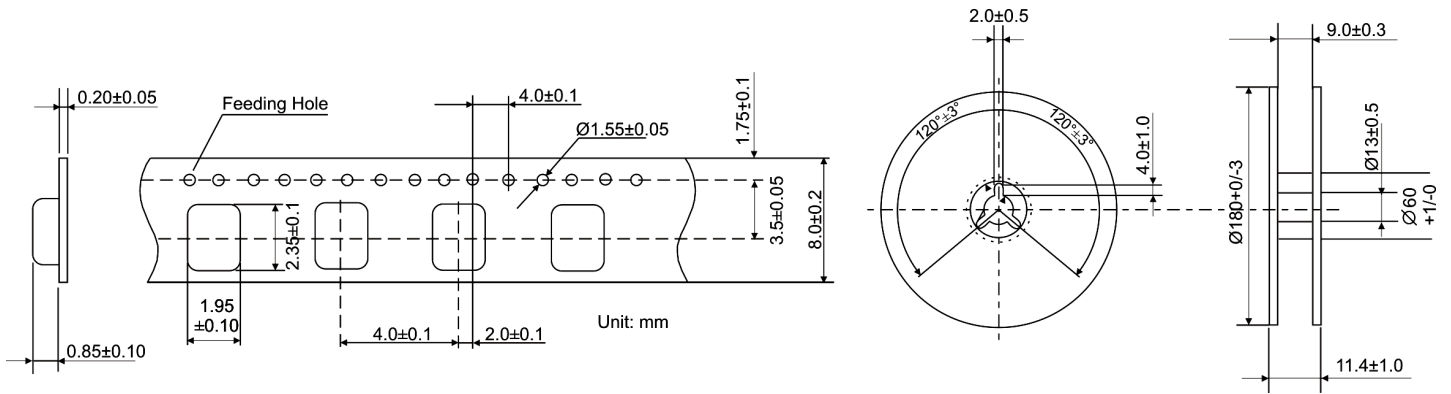


①	Preheat	160~180°C	120sec.
②	Primary heat	220°C	60sec.
③	Peak	260°C	10sec. max.

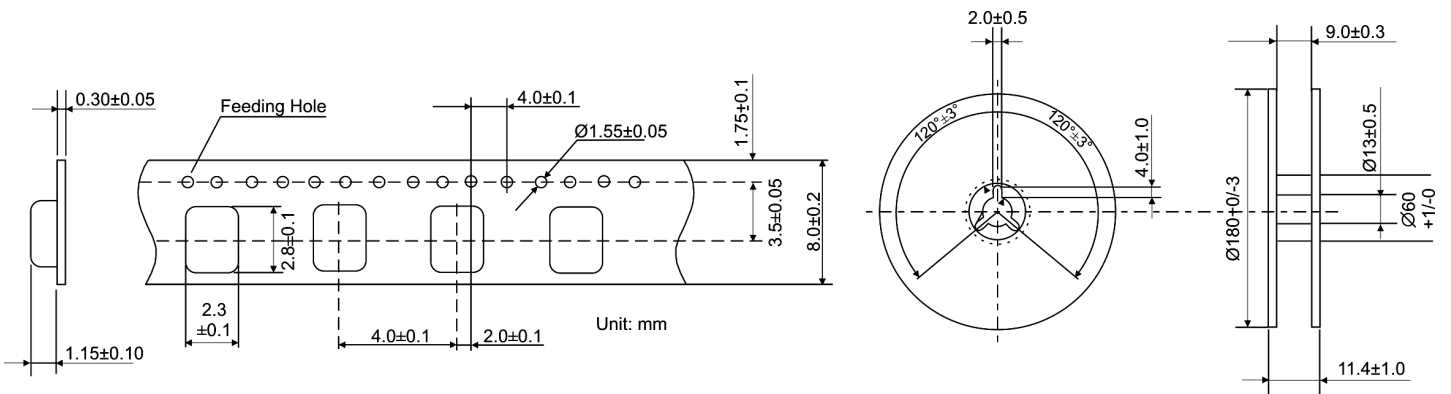
REEL SPECIFICATION OF VTX01612



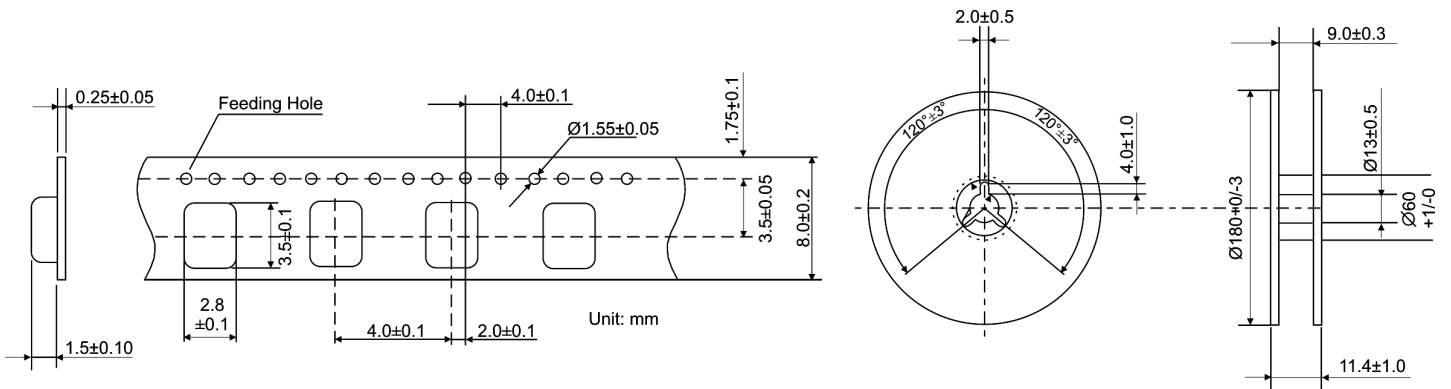
REEL SPECIFICATION OF VTX02016



REEL SPECIFICATION OF VTX02520

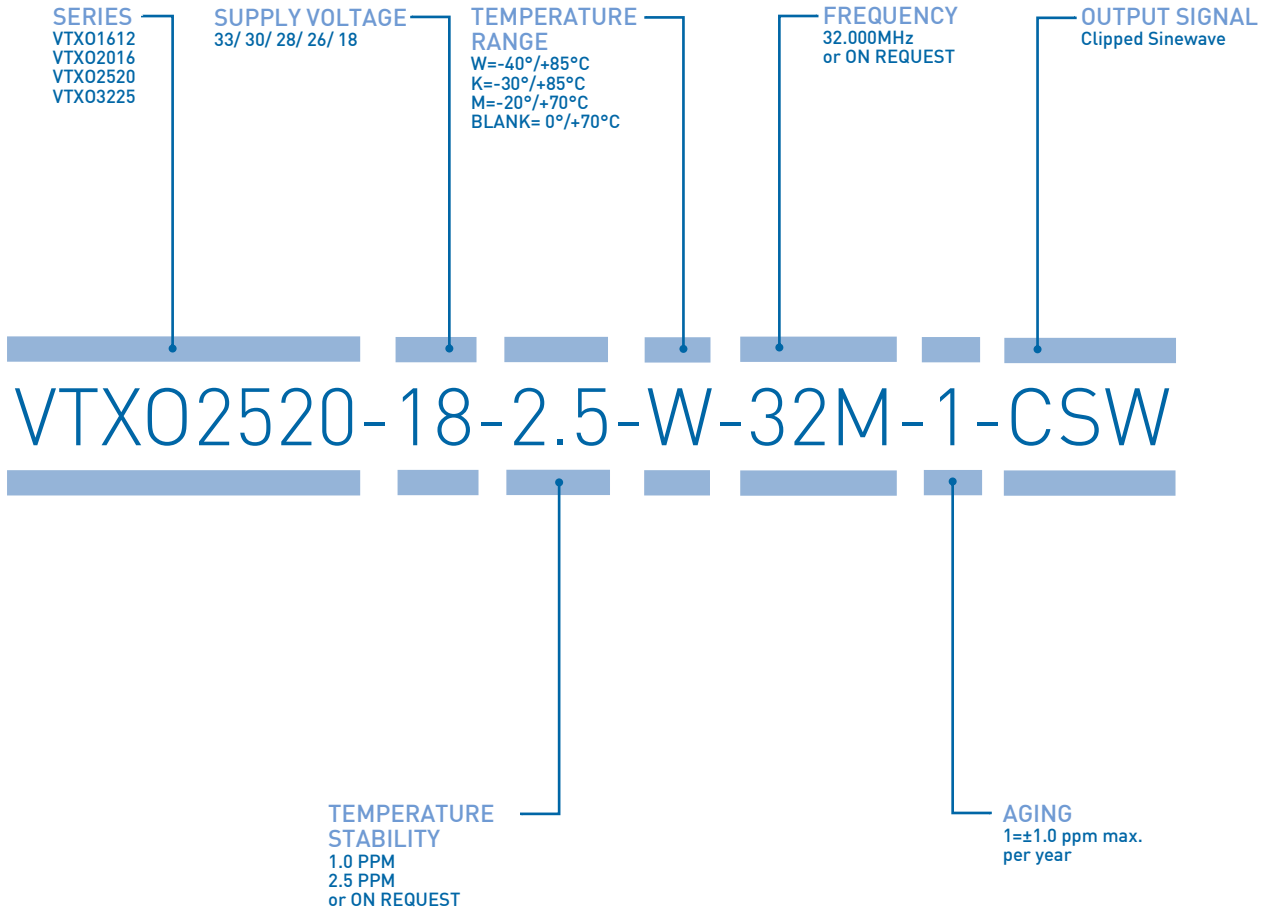


REEL SPECIFICATION OF VTX03225





ORDERING INFORMATION



EXAMPLE: VTX02520-18-2.5-W-32M-1-CSW
 PLEASE INDICATE YOUR REQUIRED PARAMETERS



PREMIUM QUALITY BY PETERMANN-TECHNIK



OUR COMPANY IS CERTIFIED ACCORDING TO ISO 9001:2015 IN OCTOBER 2016 BY THE DMSZ CERTIFIKATION GMBH.

THIS IS FOR YOU TO ENSURE THAT THE PRINCIPLES OF QUALITY MANAGEMENT ARE FULLY IMPLEMENTED IN OUR QUALITY MANAGEMENT SYSTEM AND QUALITY CONTROL METHODS ALSO DOMINATE OUR QUALITY STANDARDS.